



Multi-Bag Filter Vessel MF series

MULTI BAG FILTER VESSEL

Our user friendly design multi bag filter with construction from 3 bags to 24 bags to meet larger liquid flow rate requirement up to 1,000 m³/hr

All bag filter designs are in ASME VIII see VIII DIV I standard.

Features

- Unique mechanical spring rotating cover
- Bag filter with easy operation and high economy
- Each filter bag has a separate locking device to ensure the filter and filter
- Good sealing between bags
- 3 points balance lock the filter bag to ensure no side leakage
- Designed according to ASME standards
- Available in 3 to 24 bags
- Suitable for occasions with large flow and solid content

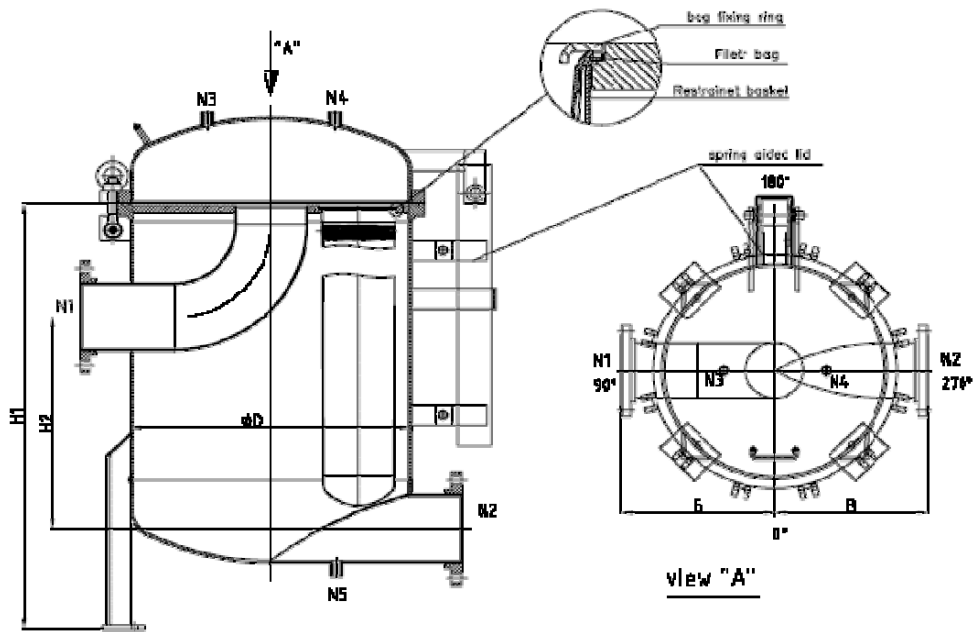
Cover Closure Options

- DL type
Davit Lid Cover Closure
- SA type
Unique Spring Lifting cover closure
- SB type
Spring Balancer Cover Closure
- SV type
Quick Opening Cover

MF Vessel Engineering Specification ¹

Vessel Type	Size	No. of Filter Bag	Theoretical Flow Rate	Max. Operating Pressure	Max. Operating Temperature	Filter Area	Inlet/Outlet
MF2A2-10-030A-SB	#02	2	80 m ³ /hour	10.0bar	120°C	1.0 m ²	3" - 4"
MF3A2-10-030A-SB	#02	3	120 m ³ /hour	10.0bar	120°C	1.5 m ²	3" - 4"
MF4A2-10-040A-SB	#02	4	160 m ³ /hour	10.0bar	120°C	2.0 m ²	3" - 6"
MF5A2-10-040A-SB	#02	5	200 m ³ /hour	10.0bar	120°C	2.5 m ²	4" - 6"
MF6A2-10-060A-SB	#02	6	240 m ³ /hour	10.0bar	120°C	3.0 m ²	4" - 6"
MF8A2-10-060A-SB	#02	8	320 m ³ /hour	10.0bar	120°C	4.0 m ²	6" - 8"
MF10A2-10-080A-SB	#02	10	400 m ³ /hour	10.0bar	120°C	5.0 m ²	8" - 10"
MF12A2-10-080A-SB	#02	12	480 m ³ /hour	10.0bar	120°C	6.0 m ²	8" - 10"
MF14A2-10-080A-SB	#02	14	560 m ³ /hour	10.0bar	120°C	7.0 m ²	8" - 10"
MF16A2-10-100A-SB	#02	16	640 m ³ /hour	10.0bar	120°C	8.0 m ²	8" - 12"
MF18A2-10-120A-SB	#02	18	720 m ³ /hour	10.0bar	120°C	9.0 m ²	10" - 14"
MF20A2-10-140A-SB	#02	20	800 m ³ /hour	10.0bar	120°C	10.0 m ²	10" - 16"
MF22A2-10-160A-SB	#02	22	880 m ³ /hour	10.0bar	120°C	11.0 m ²	12" - 18"
MF24A2-10-180A-SB	#02	24	960 m ³ /hour	10.0bar	120°C	12.0 m ²	14" - 18"

MF Vessel Engineering Drawing Sample ²



(1&2) For more detailed descriptions and information suited for your requirements, contact us at sales@particlesolutionz.co.nz. Uses may vary depending on needs and requirements of end client.