



Economic Bag Filter Vessel- EF series

SIMPLE AND COST EFFECTIVE

Our Economic Bag Filter Vessel series is designed for a general purpose use for your filtration needs.

Simple V clamp Cover design makes it easy to use for general purpose filtration needs, it is available for flow rate up to 40 m³/hr (water).

Features

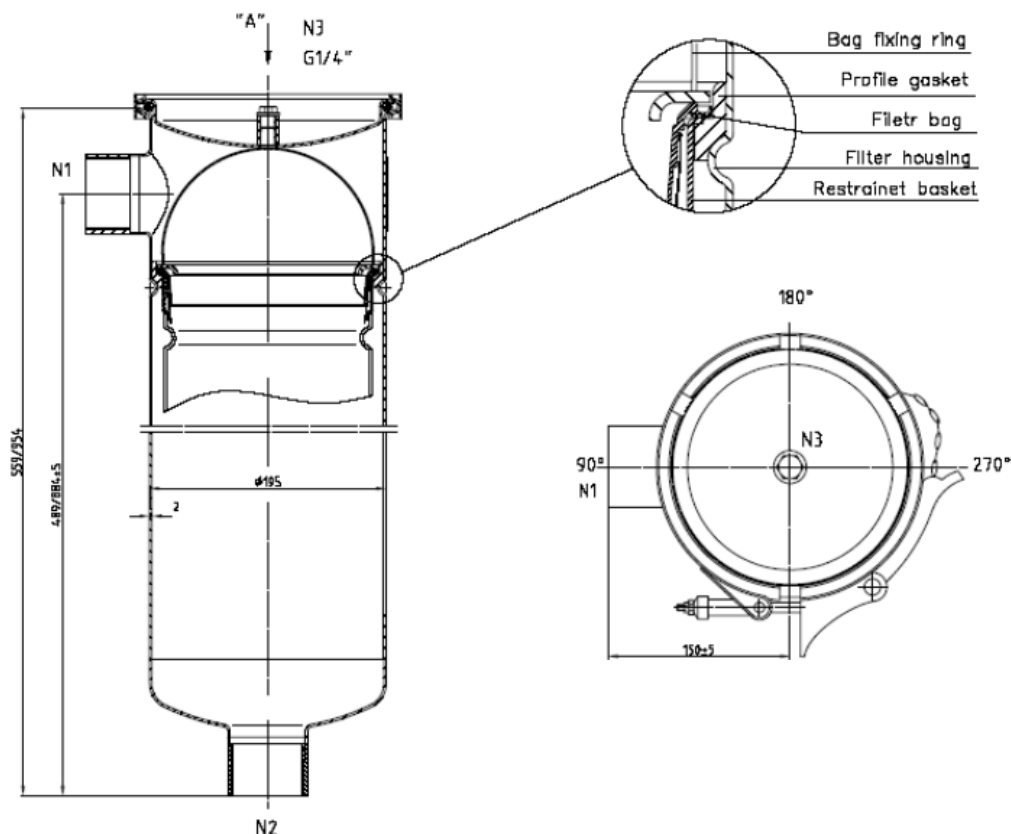
- Most cost effective vessel available
- Quick V Clamp Closure Design
- SS 304 / 316 construction
- Unique Viton profile gasket for perfect bag sealing
- Fix perfectly with all standard bags
- Can be assembled with all standard filter bags
- The inner and outer surfaces of the cylinder are sandblasted for easy cleaning
- Designed according to ASME standards
- Operating pressure: 10 bar / 160 degrees Celsius



EF Vessel Engineering Specification ¹

Vessel Type	EF1A1-6-020B	EF1A2-6-020B	EF1A3-9-015B	EF1A4-9-015B
Size	Size 01	Size 02	Size 03	Size 04
Filter Area	0.25m ²	0.50m ²	0.09m ²	0.16m ²
Theoretical Flow Rate	20m ³ /hour	40m ³ /hour	6m ³ /hour	12m ³ /hour
Maximum Operating Pressure	6.0bar	6.0bar	9.0bar	9.0bar
Maximum Operating Temperature	120°C	120°C	120°C	120°C
Material of Construction	All Wetted Parts		Type 304 or 316L stainless steel	
	Restrainer Basket			
Seal Material	Buna, EPDM, Viton, PTFE, Viton+PTFE			
Standard Inlet/Outlet	BSP 2" Socket		BSP 1 1/2" Socket	
Surface Finish	Glass Bead Blasted (standard)			
Filter Volume	15.5 litres	27.0 litres	3.0 litres	4.5 litres
Housing Weight	11kg (approx.)	16kg (approx.)	4kg (approx.)	5kg (approx.)
Installation Height	98cm (approx.)	181cm (approx.)	59cm (approx.)	90cm (approx.)
Installation Space	50cm x 50cm (approx.)		25cm x 25cm (approx.)	

EF Vessel Engineering Drawing Sample ²



(1&2) For more detailed descriptions and information suited for different requirements, contact us at sales@particlesolutionz.co.nz. Uses may vary depending on needs and requirements of end client.